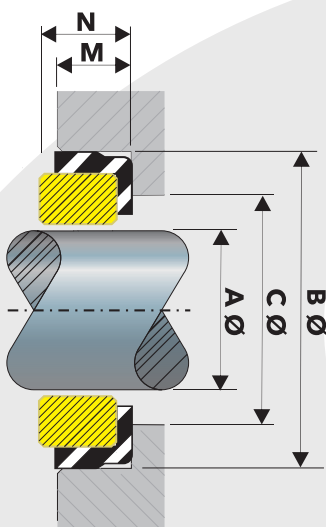


Seat

TYPE 13



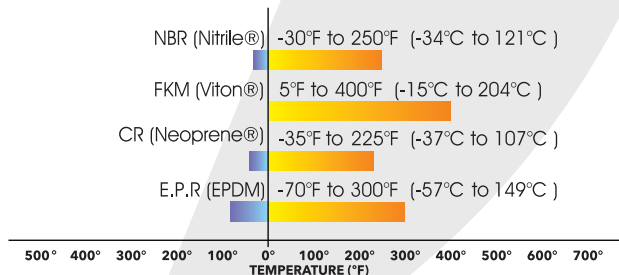
Dimensions (Inches)

| SIZE | A | B | C | M | N |
|------|--------|--------|-------|--------|--------|
| No. | ±0.002 | ±0.002 | REF. | ±0.005 | ±0.015 |
| 06 | 0.375 | 0.875 | 0.438 | 0.250 | 0.312 |
| 08 | 0.500 | 1.000 | 0.562 | 0.250 | 0.312 |
| 10 | 0.625 | 1.250 | 0.688 | 0.344 | 0.406 |
| 12 | 0.750 | 1.375 | 0.813 | 0.344 | 0.406 |
| 14 | 0.875 | 1.500 | 0.938 | 0.344 | 0.406 |
| 16 | 1.000 | 1.625 | 1.063 | 0.375 | 0.438 |
| 18 | 1.125 | 1.750 | 1.188 | 0.375 | 0.438 |
| 20 | 1.250 | 1.875 | 1.313 | 0.375 | 0.438 |
| 22 | 1.375 | 2.000 | 1.438 | 0.375 | 0.438 |
| 24 | 1.500 | 2.125 | 1.563 | 0.375 | 0.438 |
| 26 | 1.625 | 2.375 | 1.688 | 0.438 | 0.500 |
| 28 | 1.750 | 2.500 | 1.813 | 0.438 | 0.500 |
| 30 | 1.875 | 2.625 | 1.938 | 0.438 | 0.500 |
| 32 | 2.000 | 2.750 | 2.063 | 0.438 | 0.500 |
| 34 | 2.125 | 3.000 | 2.188 | 0.500 | 0.562 |
| 36 | 2.250 | 3.125 | 2.313 | 0.500 | 0.562 |
| 38 | 2.375 | 3.250 | 2.438 | 0.500 | 0.562 |
| 40 | 2.500 | 3.375 | 2.563 | 0.500 | 0.562 |
| 42 | 2.625 | 3.375 | 2.688 | 0.562 | 0.625 |
| 44 | 2.750 | 3.500 | 2.813 | 0.562 | 0.625 |
| 46 | 2.875 | 3.750 | 2.938 | 0.562 | 0.625 |
| 48 | 3.000 | 3.875 | 3.125 | 0.562 | 0.625 |
| 50 | 3.125 | 4.000 | 3.250 | 0.656 | 0.781 |
| 52 | 3.250 | 4.125 | 3.375 | 0.656 | 0.781 |
| 54 | 3.375 | 4.250 | 3.500 | 0.656 | 0.781 |
| 56 | 3.500 | 4.375 | 3.625 | 0.656 | 0.781 |
| 58 | 3.625 | 4.500 | 3.750 | 0.656 | 0.781 |
| 60 | 3.750 | 4.625 | 3.875 | 0.656 | 0.781 |
| 62 | 3.875 | 4.750 | 4.000 | 0.656 | 0.781 |
| 64 | 4.000 | 4.875 | 4.125 | 0.656 | 0.781 |

Materials

-  Bellow > NBR (Nitrile®), FKM (Viton®), CR (Neoprene®), E.P.R (EPDM).
-  Seat > Ceramic, Silicon Carbide, Tungsten Carbide, 316 Stainless Steel, Ni-Resist.

TEMPERATURE LIMITS



For any variation regarding what is described in this technical specification, please send an email to sales@vazel.com