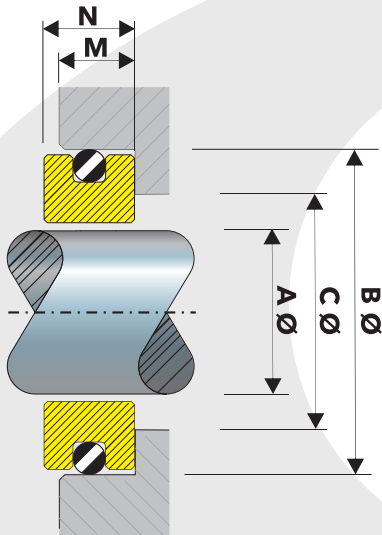


Seat

TYPE 15



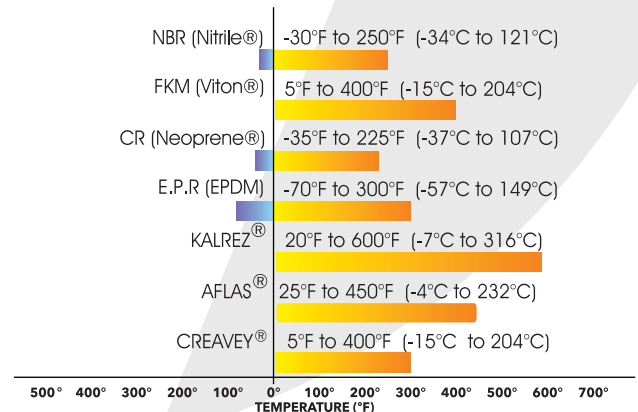
Dimensions (Inches)

SIZE	A	B	C	M	N
No.	±0.002	±0.002	REF.	±0.005	±0.015
06	0.375	0.875	0.438	0.250	0.312
08	0.500	1.000	0.562	0.250	0.312
10	0.625	1.250	0.688	0.344	0.406
12	0.750	1.375	0.813	0.344	0.406
14	0.875	1.500	0.938	0.344	0.406
16	1.000	1.625	1.063	0.375	0.438
18	1.125	1.750	1.188	0.375	0.438
20	1.250	1.875	1.313	0.375	0.438
22	1.375	2.000	1.438	0.375	0.438
24	1.500	2.125	1.563	0.375	0.438
26	1.625	2.375	1.688	0.438	0.500
28	1.750	2.500	1.813	0.438	0.500
30	1.875	2.625	1.938	0.438	0.500
32	2.000	2.750	2.063	0.438	0.500
34	2.125	3.000	2.188	0.500	0.562
36	2.250	3.125	2.313	0.500	0.562
38	2.375	3.250	2.438	0.500	0.562
40	2.500	3.375	2.563	0.500	0.562
42	2.625	3.375	2.688	0.562	0.625
44	2.750	3.500	2.813	0.562	0.625
46	2.875	3.750	2.938	0.562	0.625
48	3.000	3.875	3.125	0.562	0.625
50	3.125	4.000	3.250	0.656	0.781
52	3.250	4.125	3.375	0.656	0.781
54	3.375	4.250	3.500	0.656	0.781
56	3.500	4.375	3.625	0.656	0.781
58	3.625	4.500	3.750	0.656	0.781
60	3.750	4.625	3.875	0.656	0.781
62	3.875	4.750	4.000	0.656	0.781
64	4.000	4.875	4.125	0.656	0.781

Materials

-  Bellow > NBR (Nitrile®), FKM (Viton®), CR (Neoprene®), E.P.R (EPDM) Kalrez®, Aflas® and Creavey®
-  Seat > Ceramic, Silicon Carbide, Tungsten Carbide, Ni-Resist, Stainless Steel 316

TEMPERATURE LIMITS



For any variation regarding what is described in this technical specification, please send an email to sales@vazel.com