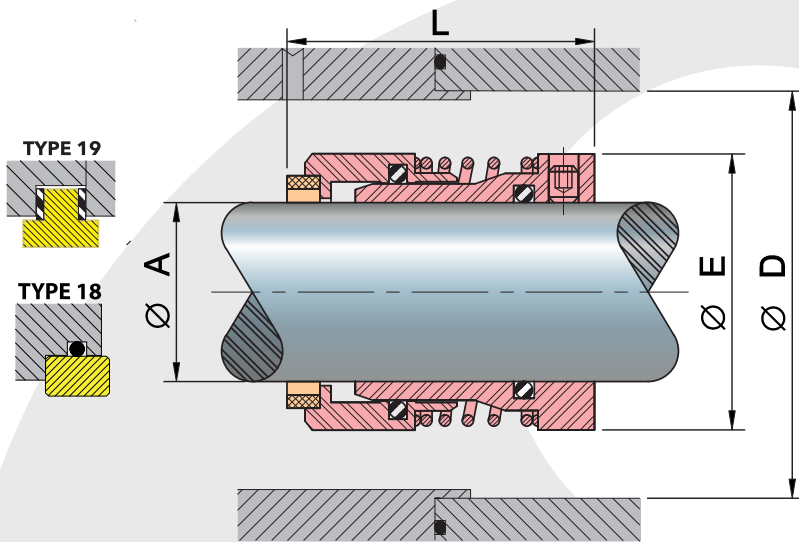


LINE 15B



Dimensions (Inches)

SIZE	A	D	E	L
No.	±0.002	MIN.	±0.015	±0.015
16	1.000	1.875	1.654	2.478
18	1.125	1.937	1.817	2.587
20	1.250	2.250	2.067	2.821
22	1.375	2.437	2.304	3.024
24	1.500	2.562	2.430	3.024
26	1.625	2.625	2.500	3.196
28	1.750	2.875	2.746	3.478
30	1.875	3.000	2.871	3.478
32	2.000	3.125	2.984	3.557
34	2.125	3.375	3.172	3.557
36	2.250	3.437	3.295	3.838
38	2.375	3.688	3.543	3.920
40	2.500	3.781	3.661	4.002
42	2.625	4.000	3.858	4.158
44	2.750	4.250	4.095	4.283
46	2.875	4.250	4.095	4.283
48	3.000	4.375	4.252	4.377
50	3.125	4.500	4.350	4.377
52	3.250	4.625	4.448	4.440
54	3.375	4.781	4.646	4.502
56	3.500	5.000	4.882	4.221
58	3.625	5.187	5.031	4.221
60	3.750	5.375	5.197	4.846
62	3.875	5.500	5.332	4.846
64	4.000	5.688	5.551	4.940

Materials

-  Metallic Parts > Stainless Steel 316.
-  Spring > Stainless Steel 316.
-  Rotary Face > Graphite Carbide, Silicon Carbide, Tungsten Carbide.
-  Bellow > NBR (Nitrile®), FKM (Viton®), CR (Neoprene®), E.P.R (EPDM), Kalrez (FFKM), Aflas (TFE/P), Creavey (PTFE/FKM) and Silicon (VMQ)
-  Seat > Ceramic, Sintered Silicon Carbide, Tungsten Carbide, Stainless Steel, Ni-Resist

Operation limits

Velocity	Max. 3,600 R.P.M*
Pressure	1000 PSI (70.4Kg/cm²)**
Temperature limits	-57 °C to 316 °C***

*Depends on the diameter of the shaft.

**It depends on the combination of material of the faces.

***Depends on the material of the elastomer.

Aplicaciones:

The VAZEL line "15B" mechanical seal is recommended in the use of rotary equipment such as pumps, reactors, agitators and for those equipments that handle viscous or abrasives fluids used in the chemical industry, petrochemical industry, maritime industry, mining industry, among others.

For any variation regarding what is described in this technical specification, please send an email to sales@vazel.com